

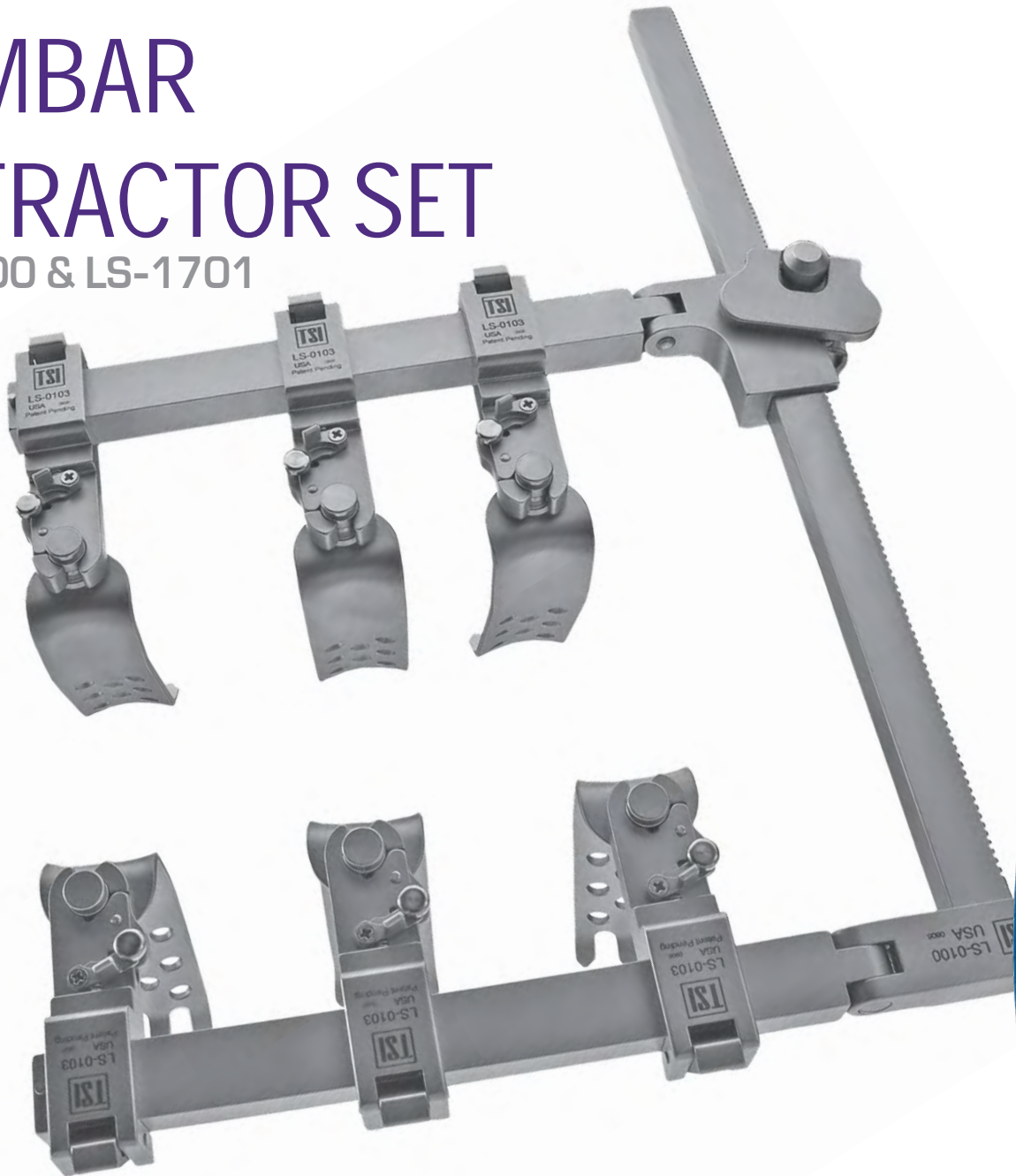
PHANTOM LS™ SERIES

SURE-LOCK

LUMBAR

RETRACTOR SET

LS-1700 & LS-1701



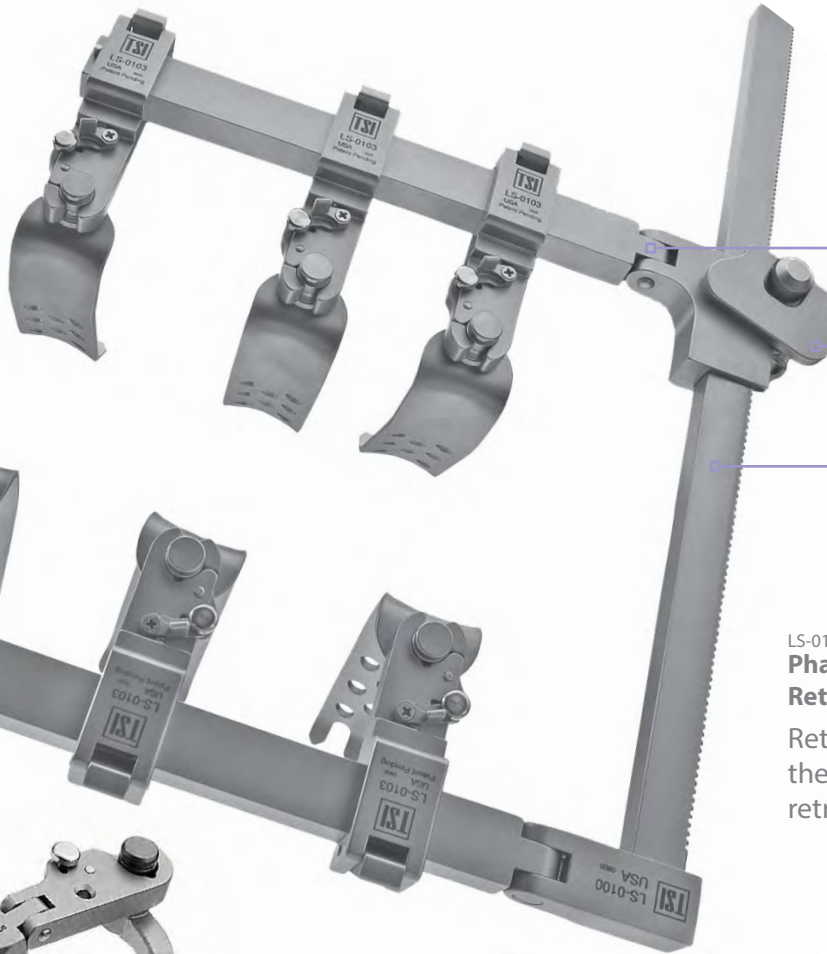
**TeDan Surgical
Innovations**

Phantom LS™ LUMBAR SET

LS-1700 & LS-1701

RETRACTOR FRAMES

The Phantom LS-1700 retractor set includes two retractor bodies capable of facilitating micro and macro lumbar procedures.



- Hinged arms conform to patient's anatomy
- Low profile fold down key
- Longer and wider rack increases strength and wound exposure

LS-0100
Phantom LS™ Lumbar Retractor Body
Retractor arms allow for the attachment of multiple retractor blades.



CS-0100
Phantom CS™ Transverse Retractor w/ Double Hinge
The CS-0100 retractor frame provides a less invasive option for microdiscectomy procedures.



CS-0108
Phantom CS™ Transverse Retractor w/ Pivoting Arms
The pivoting feature of the CS-0108 retractor frame increases exposure of surgical sight without increasing incision size.
*CS-0108 not included in set, optional item

BLADES & HOOKS

Titanium blades are offered in a variety of sizes from 23 mm to 40 mm. The retractor set also includes toothed hooks for microdiscectomies.



LS-0033
Phantom LS™ Lumbar Blade 15° w/ Teeth, 23 x 65 mm

50% stronger than slotted blades
50% more openings to improve visualization during fluoroscopy



LS-0053
Phantom LS™ Lumbar Blade 15° w/ Teeth, 45 x 80 mm

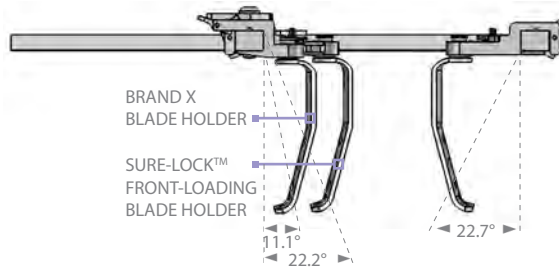
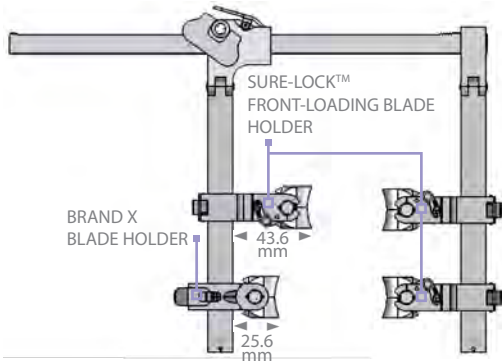


LS-0082
Phantom LS™ Micro Lumbar Discectomy Hook w/ Teeth, 60 mm



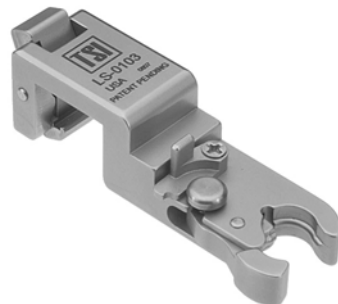
LS-0073
Phantom LS™ Sacral Cutout, Left, w/ Teeth, 60 x 45 mm

BLADE HOLDERS



LS-0102
Phantom LS™ Adjustable Retractor Blade Holder

Adjustable retractor blade holder allows for precise placement on the retractor body arms.



LS-0103
Phantom LS™ Front-Loading Retractor Blade Holder

Patented Phantom LS™ Sure-Lock™ front-loading retractor blade holder provides a secure connection and better access to the pedicles.



LS-0105
Phantom LS™ Top-Loading Retractor Blade Holder

Top-loading retractor blade holder can be used in place of TSI's front-loading retractor blade holder.

*LS-0105 not included in set, optional item

RETRACTOR SET



LS-1700
**Phantom LS™ Lumbar
Retractor Set**

TSI's lumbar retractor set includes 23 mm to 60 mm retractor blades, a retractor body and blade holders.

ACCESSORIES

Side-loading retractor blade handle allows for precise placement and easy attachment of blades to the retractor body. T-Handle crank provides ease of motion when adjusting retraction distance.



CS-0105
**Phantom CS™ Side-Loading
Retractor Blade Handle**

LS-0101
Phantom LS™ T-Handle Crank

EXPERIENCE THE DIFFERENCE. EXPERIENCE INNOVATION.

Phantom LS™ Sure-Lock Lumbar Retractor Sets come with a variety of semi-radiolucent retractor blades to meet the demands associated with surgical tissue and muscle retraction. TSI's patented Sure-Lock front loading design provides ease of retractor blade placement. Multiple lengths and widths of retractor blades are available, including 23 to 60 mm blades, with the transverse side-loading retractor and toothed hooks for micro lumbar discectomies.



TeDan Surgical Innovations, LLC

Ph: 713-726-0886 Fax: 713-726-0846 Toll Free: 877-726-0886

12615 West Airport Blvd., Suite #200, Sugar Land, Texas 77478

Email: sales@tedansurgical.com

www.tedansurgical.com

PHANTOM LS™ SURE-LOCK LUMBAR RETRACTOR SET

LS-1700

CAT. NO.	DESCRIPTION	QTY.
CS-0100	PHANTOM CS TRANSVERSE RETRACTOR W/DOUBLE HINGE, 120MM RACK	1
CS-0105	PHANTOM CS SIDE-LOADING RETRACTOR BLADE HANDLE	2
LS-0030	PHANTOM LS LUMBAR BLADE 15° W/TEETH, 23X35MM, TITANIUM	4
LS-0031	PHANTOM LS LUMBAR BLADE 15° W/TEETH, 23X45MM, TITANIUM	4
LS-0032	PHANTOM LS LUMBAR BLADE 15° W/TEETH, 23X55MM, TITANIUM	4
LS-0033	PHANTOM LS LUMBAR BLADE 15° W/TEETH, 23X65MM, TITANIUM	4
LS-0034	PHANTOM LS LUMBAR BLADE 15° W/TEETH, 23X75MM, TITANIUM	4
LS-0035	PHANTOM LS LUMBAR BLADE 15° W/TEETH, 23X85MM, TITANIUM	4
LS-0036	PHANTOM LS LUMBAR BLADE 15° W/TEETH, 23X100MM, TITANIUM	4
LS-0037	PHANTOM LS LUMBAR BLADE 15° W/TEETH, 23X120MM, TITANIUM	4
LS-0050	PHANTOM LS LUMBAR BLADE 15° W/TEETH, 45X50MM, TITANIUM	2
LS-0051	PHANTOM LS LUMBAR BLADE 15° W/TEETH, 45X60MM, TITANIUM	2
LS-0052	PHANTOM LS LUMBAR BLADE 15° W/TEETH, 45X70MM, TITANIUM	2
LS-0053	PHANTOM LS LUMBAR BLADE 15° W/TEETH, 45X80MM, TITANIUM	2
LS-0054	PHANTOM LS LUMBAR BLADE 15° W/TEETH, 45X100MM, TITANIUM	2
LS-0055	PHANTOM LS LUMBAR BLADE 15° W/TEETH, 45X120MM, TITANIUM	2
LS-0070	PHANTOM LS SACRAL CUTOUT, RIGHT, W/TEETH, 30X40MM, TITANIUM	1
LS-0071	PHANTOM LS SACRAL CUTOUT, LEFT, W/TEETH, 30X40MM, TITANIUM	1
LS-0072	PHANTOM LS SACRAL CUTOUT, RIGHT, W/TEETH, 60X45MM, TITANIUM	1
LS-0073	PHANTOM LS SACRAL CUTOUT, LEFT, W/TEETH, 60X45MM, TITANIUM	1
LS-0080	PHANTOM LS MICRO LUMBAR DISSECTOMY HOOK WITH TEETH, 40MM	1
LS-0081	PHANTOM LS MICRO LUMBAR DISSECTOMY HOOK WITH TEETH, 50MM	1
LS-0082	PHANTOM LS MICRO LUMBAR DISSECTOMY HOOK WITH TEETH, 60MM	1
LS-0083	PHANTOM LS MICRO LUMBAR DISSECTOMY HOOK WITH TEETH, 70MM	1
LS-0100	PHANTOM LS LUMBAR RETRACTOR BODY	1
LS-0101	PHANTOM LS T-HANDLE CRANK	1
LS-0102	PHANTOM LS ADJUSTABLE BLADE HOLDER	4
LS-0103	PHANTOM LS FRONT-LOADING RETRACTOR BLADE HOLDER FOR LS-0100	6
LS-0700	PHANTOM LS STERILIZATION TRAY (FOR LS-1700 & 1701 SETS)	1

PHANTOM LS™ BASIC SURE-LOCK LUMBAR RETRACTOR SET

LS-1701

CAT. NO.	DESCRIPTION	QTY.
CS-0105	PHANTOM CS SIDE-LOADING RETRACTOR BLADE HANDLE	2
LS-0030	PHANTOM LS LUMBAR BLADE 15° W/TEETH, 23X35MM, TITANIUM	4
LS-0031	PHANTOM LS LUMBAR BLADE 15° W/TEETH, 23X45MM, TITANIUM	4
LS-0032	PHANTOM LS LUMBAR BLADE 15° W/TEETH, 23X55MM, TITANIUM	4
LS-0033	PHANTOM LS LUMBAR BLADE 15° W/TEETH, 23X65MM, TITANIUM	4
LS-0034	PHANTOM LS LUMBAR BLADE 15° W/TEETH, 23X75MM, TITANIUM	4
LS-0035	PHANTOM LS LUMBAR BLADE 15° W/TEETH, 23X85MM, TITANIUM	4
LS-0036	PHANTOM LS LUMBAR BLADE 15° W/TEETH, 23X100MM, TITANIUM	4
LS-0037	PHANTOM LS LUMBAR BLADE 15° W/TEETH, 23X120MM, TITANIUM	4
LS-0100	PHANTOM LS LUMBAR RETRACTOR BODY	1
LS-0101	PHANTOM LS T-HANDLE CRANK	1
LS-0102	PHANTOM LS ADJUSTABLE BLADE HOLDER	4
LS-0103	PHANTOM LS FRONT-LOADING RETRACTOR BLADE HOLDER FOR LS-0100	6
LS-0700	PHANTOM LS STERILIZATION TRAY (FOR LS-1700 & 1701 SETS)	1



LS-1700



LS-1701